

- 1) **Basic equation of the relational database processing is:**
  - A)  $DBS = DBMS + RQBE$
  - B)  $DBS = DBMS + DB$
  - C)  $DBS = DBMS + SD$
  - D)  $DBS = DBMS + SQL$
  - E) none of the previous answers A, B, C, D is correct
  
- 2) **Data normalization technique eliminates in the relational database processing**
  - A) redundancy of tables
  - B) data redundancy
  - C) redundancy of records
  - D) redundancy of views
  - E) none of the previous answers A, B, C, D is correct
  
- 3) **Low level assembly language is:**
  - A) C
  - B) Java
  - C) Python
  - D) Smalltalk
  - E) None of the previous answers A, B, C, D is correct
  
- 4) **Unlike non-object programming languages, each object oriented programming language must have:**
  - A) Graphical user interface
  - B) Support for Mac OSX operating system.
  - C) Libraries for working with relational databases.
  - D) Libraries for working with .NET Framework.
  - E) None of the previous answers A, B, C, D is correct
  
- 5) **Difference between class and collection:**
  - A) Collection is a grouping of objects.
  - B) There is no difference, both are the same thing.
  - C) Each class contains a collection.
  - D) Collections are not used in object programming.
  - E) none of the previous answers A, B, C, D is correct
  
- 6) **Object programming:**
  - A) requires MS Windows
  - B) utilizes principles of modern databases
  - C) is based on principles of UNIX/Linux/MacOS
  - D) requires graphical user interface
  - E) none of the previous answers A, B, C, D is correct
  
- 7) **What is used to describe the data structure of an entity?**
  - A) Relationships with other entities.
  - B) Data flow diagram.
  - C) Attributes.
  - D) Cardinality markers.
  - E) None of the previous answers A, B, C, D is correct

**8) What is the system life cycle?**

- A) Critical analysis of the system performance.
- B) Cyclical changes to the features of the system.
- C) Sum of all costs related to the system.
- D) Sequence of typical steps during the creation of the system, from initial idea to deployment
- E) None of the previous answers A, B, C, D, is correct

**9) Process in data flow diagram is:**

- A) an analytical tool
- B) a tool for expressing control flows in the system
- C) a way of finding the system requirements
- D) where the data transformation takes place
- E) None of the previous answers A, B, C, D is correct

**10) An item in the Unix file system directory consists of:**

- A) filename and all relevant system information about the file
- B) filename and the pointers to those file system blocks, in which the file is stored
- C) filename and the access rights to the file
- D) filename and its i-node number
- E) none of the previous answers A, B, C, D is correct

**11) In Unix you translate and run the following program:**

```
main()
{
    fork();
    fork();
    while(1);
}
```

- A) 4 processes are created and they will be in the blocked state
- B) 4 processes are created and they will be in the ready to run state or in the running state
- C) 2 processes are created and they will be in the running state
- D) 1 process is created in the blocked state
- E) none of the previous answers A, B, C, D is correct

**12) Unit testing:**

- A) is a way of testing the functionality of small parts of the application (methods, classes)
- B) testing method conducted by teams (units) of testers
- C) is a way of testing the functionality of the application as a whole
- D) is in no way related to software development
- E) none of the previous answers A, B, C, D is correct

**13) State of the object:**

- A) describes the data part of the object (particular data values stored inside it)
- B) can be used to determine if two objects are identical
- C) represents the behaviour of the object
- D) allows inheritance
- E) none of the previous answers A, B, C, D is correct

**14) Which of the following statements is INCORRECT?**

- A) Each object has its own identity
- B) State describes the data inside the particular object
- C) Attributes declared as private cannot be accessed from outside the object.
- D) Object doesn't contain any data, just methods.
- E) None of the previous answers A, B, C, D is correct.

**15) Liskov substitution principle says that:**

- A) where an instance of a class T is expected, an instance of any of class T's subclasses can be used and the functionality of the application does not change
- B) each object can be replaced by any other object
- C) methods of one object can be replaced by overridden version of the method from a superclass
- D) we cannot send multiple messages to one object
- E) none of the previous answers A, B, C, D is correct.

16) We have a number  $X = (147)_{10}$  in a decimal numeric system. In a octal numeric system a value of the  $X$  number is:

- A) This number cannot be represented in octal numeric system
- B)  $(18,375)_8$
- C)  $(147)_8$
- D)  $(223)_8$
- E) None of the previous answers A, B, C, D is correct

17) Let us have the following statements:

„Mates is sad or has a bad mood.“

„Mates is not sad.“

From the statements logically follows ...

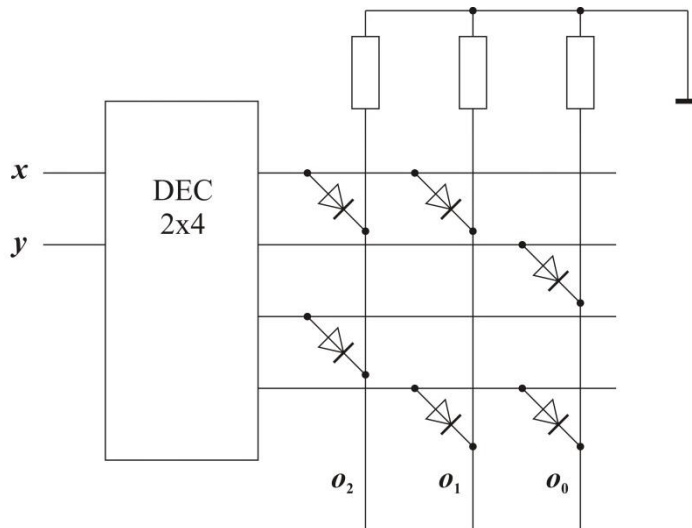
- A) ... statement „Mates has not a bad mood.“
- B) ... statement „Mates is sad and has a bad mood too.“
- C) ... statement „If Mates is not sad, he has not a bad mood.“
- D) ... statement „Mates has a bad mood.“
- E) none of the previous answers A, B, C, D is correct

18) We have a logic circuit with inputs  $a_i, b_i, c_i$  and outputs  $c_{i+1}$  a  $s_i$ . In the table below there is a description of circuit behaviour. The circuit is:

$a_i$	$b_i$	$c_i$	$c_{i+1}$	$s_i$
0	0	0	0	0
0	0	1	0	1
0	1	0	0	1
0	1	1	1	0
1	0	0	0	1
1	0	1	1	0
1	1	0	1	0
1	1	1	1	1

- A) decoder 2x4
- B) parity generator
- C) a 1-bit arithmetic adder
- D) sequential J-K circuit
- E) none of the previous answers A, B, C, D is correct

19) We have a logic circuit which represented PROM 4x3. The content of this memory is (address: content):



- A) 00:02, 01:01, 02:01, 03:02
- B) 00:02, 01:02, 02:02
- C) 00:0A, 01:09, 02:05
- D) 00:06, 01:01, 02:04, 03:03
- E) none of the previous answers A, B, C, D is correct

20) The simplified conjunctive normal form (CNF) of the Boolean function  $f$  (see table) is:

x	y	z	f
0	0	0	1
0	0	1	1
0	1	0	0
0	1	1	1
1	0	0	0
1	0	1	1
1	1	0	0
1	1	1	1

- A)  $xz' + y'z$
- B)  $(x + z)(y' + z')$
- C)  $xy + y'z'$
- D)  $(x' + z)(y' + z)$
- E) none of the previous answers A, B, C, D is correct